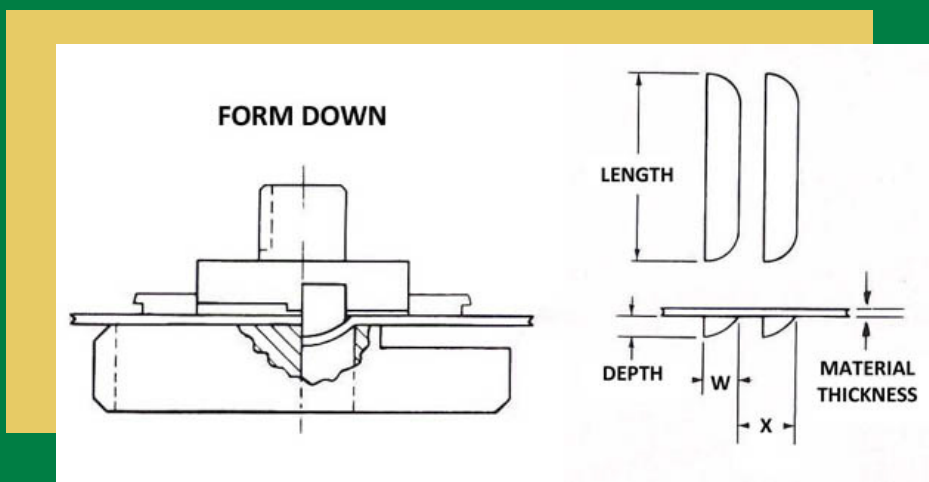


# PUNCH LOUVERS

**UNIPUNCH PROVIDES LOUVER PUNCH TOOLING THAT IS FAST AND COST EFFECTIVE**

Our forming tools are designed to your specifications for use in punch presses and press brakes. Give us a call or request a quote today and start enjoying the competitive advantage many manufacturers have already realized. When placing an order or requesting a quote, please send us a fully dimensioned part drawing including the dimensions below.



**CONTACT UNIPUNCH TO LEARN MORE ABOUT PUNCHING PARTS FAST**